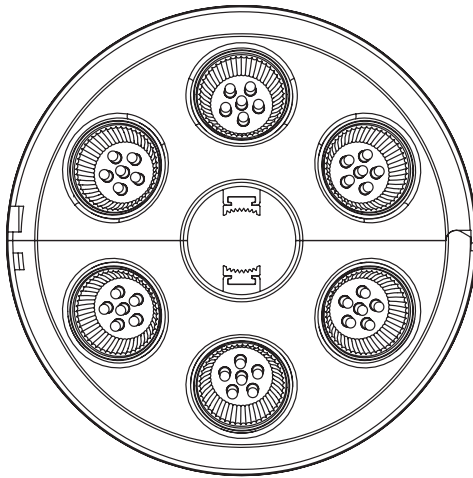

User Guide



VEGA-L



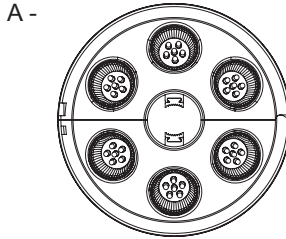
Vega-L *Umbrella Light*

Thank you for purchasing Treasure Garden's Vega-L Umbrella Light.
Please remove all contents from the package, inspect and review checklist.

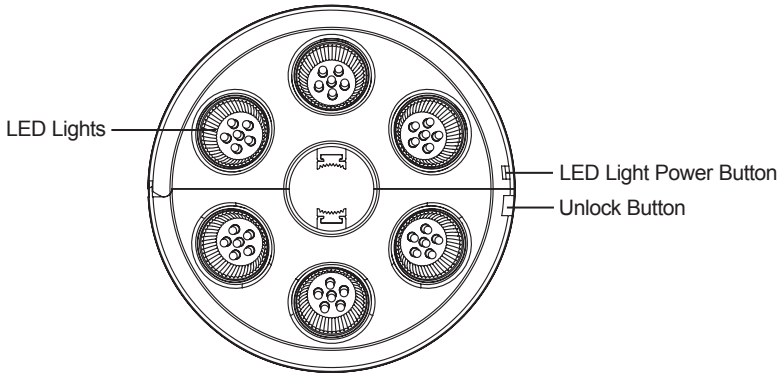
CHECKLIST

- A - (1) Vega-L
- B - (1) Battery Pack
- C - (1) Power Supply*

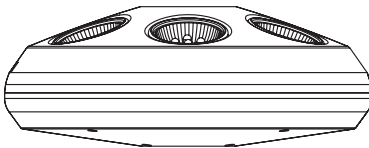
**Note: Use only the Power Supply included with Vega-L. See page 5 for Safety Precautions. ⚠*



Top View



Side View



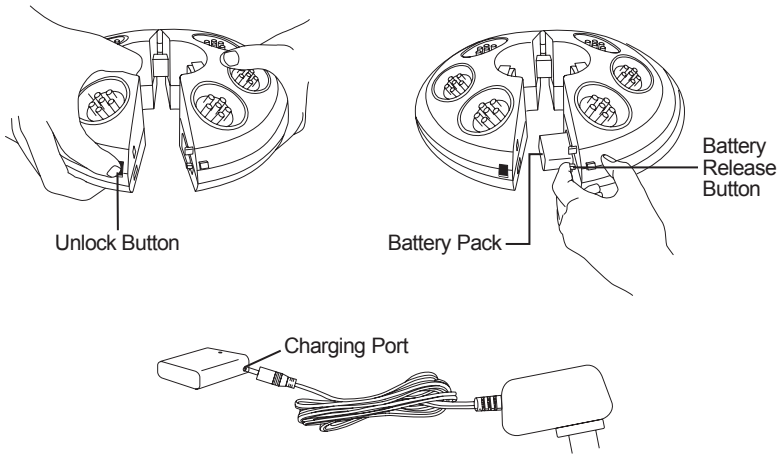
STEP 1

CHARGING

- Open Vega-L by holding the device firmly with one hand and then press “unlock” button with the other hand to release the clamp lock.
- Slide back battery release button to remove the battery pack from its compartment.
- Connect the power supply to the Vega-L battery pack charging port, then plug the other end into any 110V power source. The Vega-L is fully charged when the red indicator light on power supply turns green (approximately 6 hours).

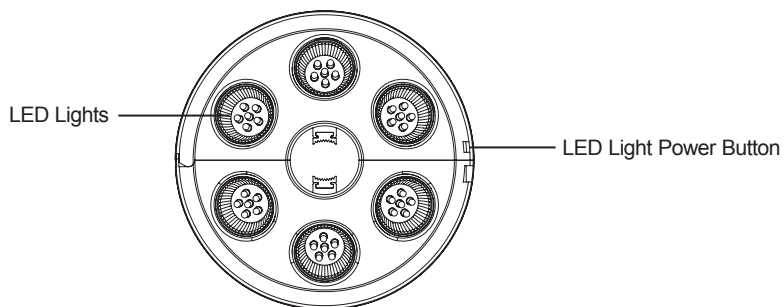
Note:

- Charge Vega-L in dry area to keep from damaging.
- We recommend fully charging Vega-L before you store for extended periods of time.



STEP 2 LED LIGHTS

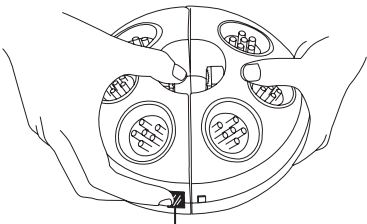
- To turn on and off LED lights, press the LED light power button.



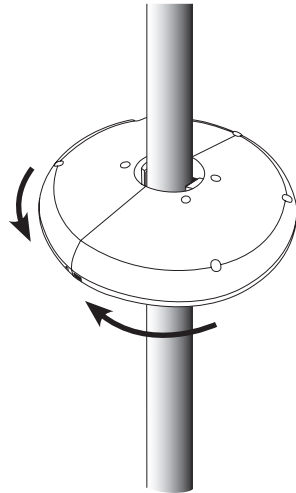
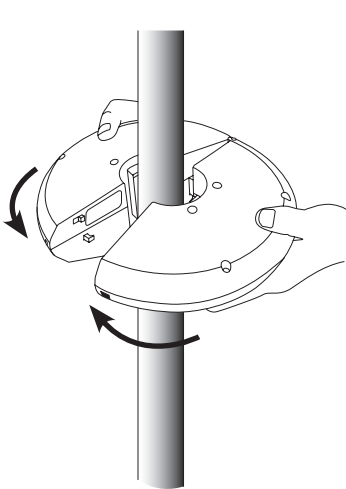
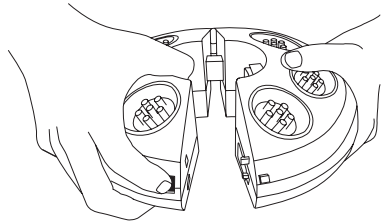
STEP 3

ATTACHING VEGA-L TO UMBRELLA

- The Vega-L can be attached to umbrella center poles up to 2" and cantilever umbrella light adapters.
- Open Vega-L by holding the device firmly with one hand and then press "unlock" button with the other hand to release the clamp lock.
- Open up the Vega-L light and clasp around the mid pole or light adapter. Snap to close.



Unlock Button



SAFETY PRECAUTIONS

- Position Vega-L in a location that will protect it from direct sunlight and moisture.
- Do not overcharge the battery. Unplug the power supply when charging is complete. Over charging may cause the battery to become hot, rupture or ignite. If you see any heat deformation or leakage, properly dispose of the device.
- If unit is exposed to light moisture, allow unit to air dry for a minimum of 24 hours before reuse.
- Power supply must be used indoors only. It is neither designed nor tested for use outdoors.

WARNING: *The Vega-L umbrella light is not waterproof.* If Vega-L is immersed in water or exposed to heavy rain the unit will be damaged and void the 1 year warranty.

NOTE: We recommend fully charging Vega-L before you store for extended periods of time.

Power Supply:

- Never use a third party battery or power supply. Doing so may increase risk of fire or explosion. Contact your local authorized dealer for a replacement power supply.
- During prolonged use, it is normal for the power supply to be warm to the touch. When using power supply, avoid direct sunlight and exposure to moisture.
- Do not attempt to charge the Vega-L in inclement weather (rain, snow) so as to prevent damage to the electrical components.

Power Supply Information

Input voltage: 100-240Vac 50/60Hz

Output: 9VDC 1.2A

5' Cord

WARRANTY:

Treasure Garden warrants this product (for residential use ONLY) to be free from defects in original materials and workmanship for a period of 1 year from the date of purchase. If a defect in the original material or workmanship appears during the warranty period; Treasure Garden will (at its discretion) repair or replace the product without charge.

Simply contact your original authorized Treasure Garden dealer with a description of the defect. The dealer will verify the defect and work closely with Treasure Garden to obtain the necessary service. In many cases, simple problems can be solved with a replacement part that can be shipped directly to the dealer for professional installation / repair.

There are no serviceable parts within this product, DO NOT OPEN. Tampering with or altering the product will void warranty.

In the event that warranted factory service

is required, Treasure Garden will assume the responsibility of the return freight charges for the first year only.

Returned product that (upon receipt and inspection) is deemed to be “not covered” under our warranty, will be shipped / billed at your expense.

This warranty gives you specific legal rights, and you may have other rights which vary from state to state.

RUST: Rust is a natural part of the aging process of steel or iron based materials, and is therefore NOT considered a defect.

NOTE: Failure caused by unreasonable or abusive use, or failure caused by neglect of reasonable and necessary care are not covered by this warranty.

Additionally, acts of nature (including but not limited to wind, hurricanes, tornadoes, and storms) are not covered by this warranty.



www.treasuregarden.com

©20201 Treasure Garden, Inc. - All Rights Reserved.
v.07.19.21